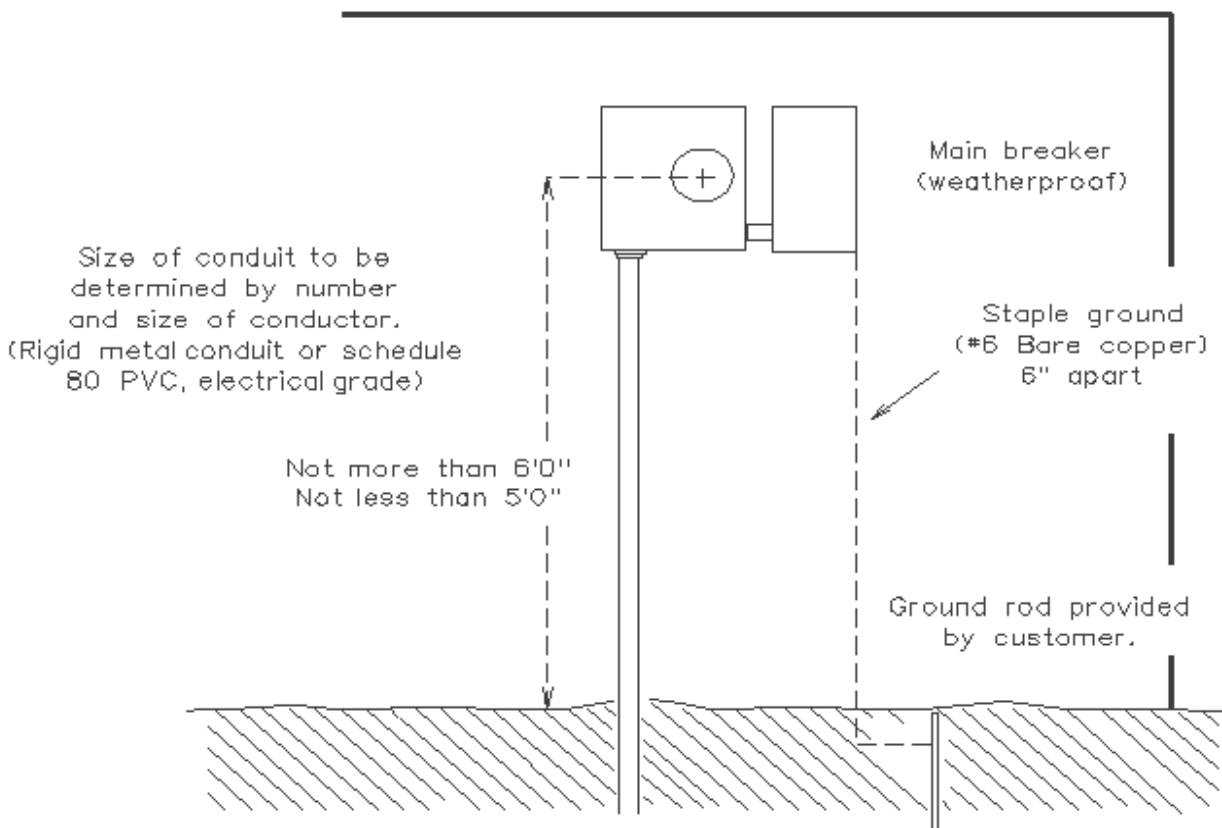
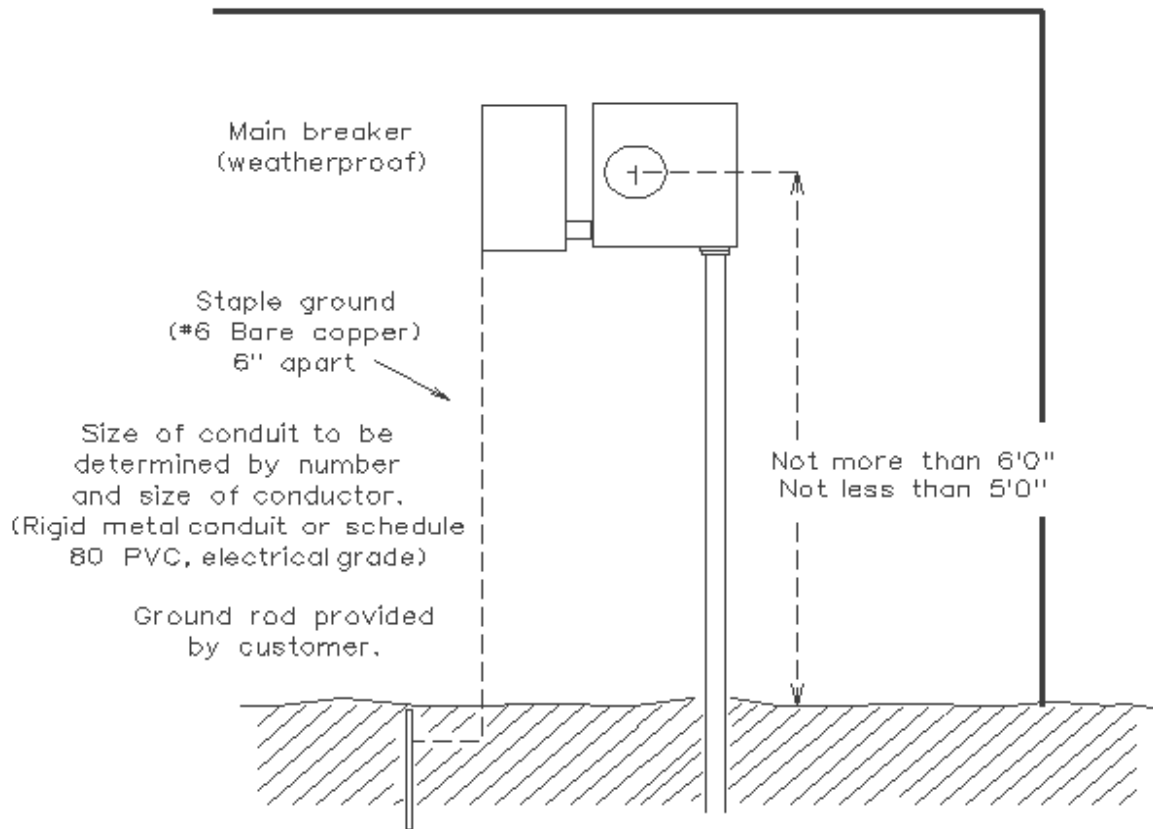
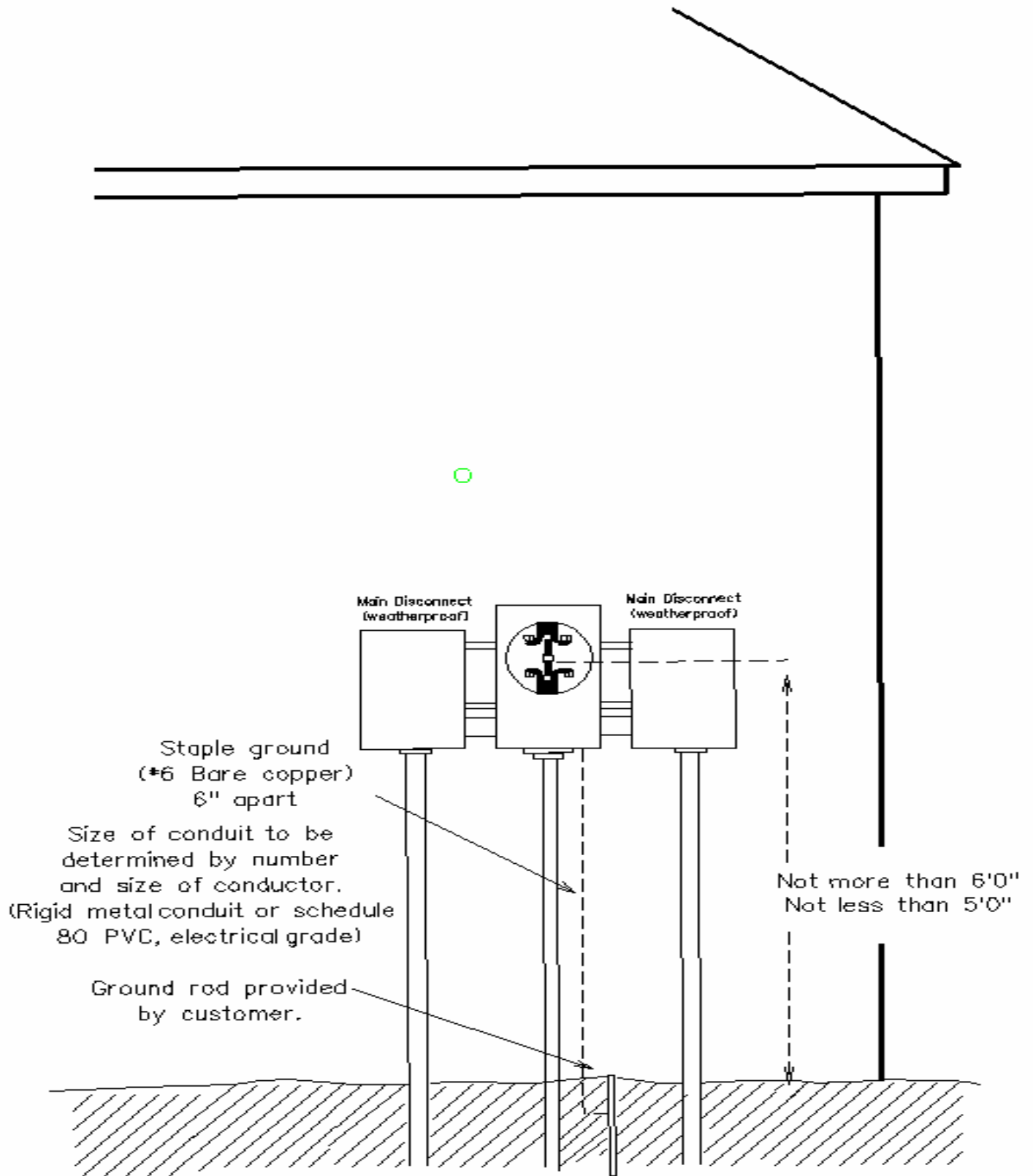
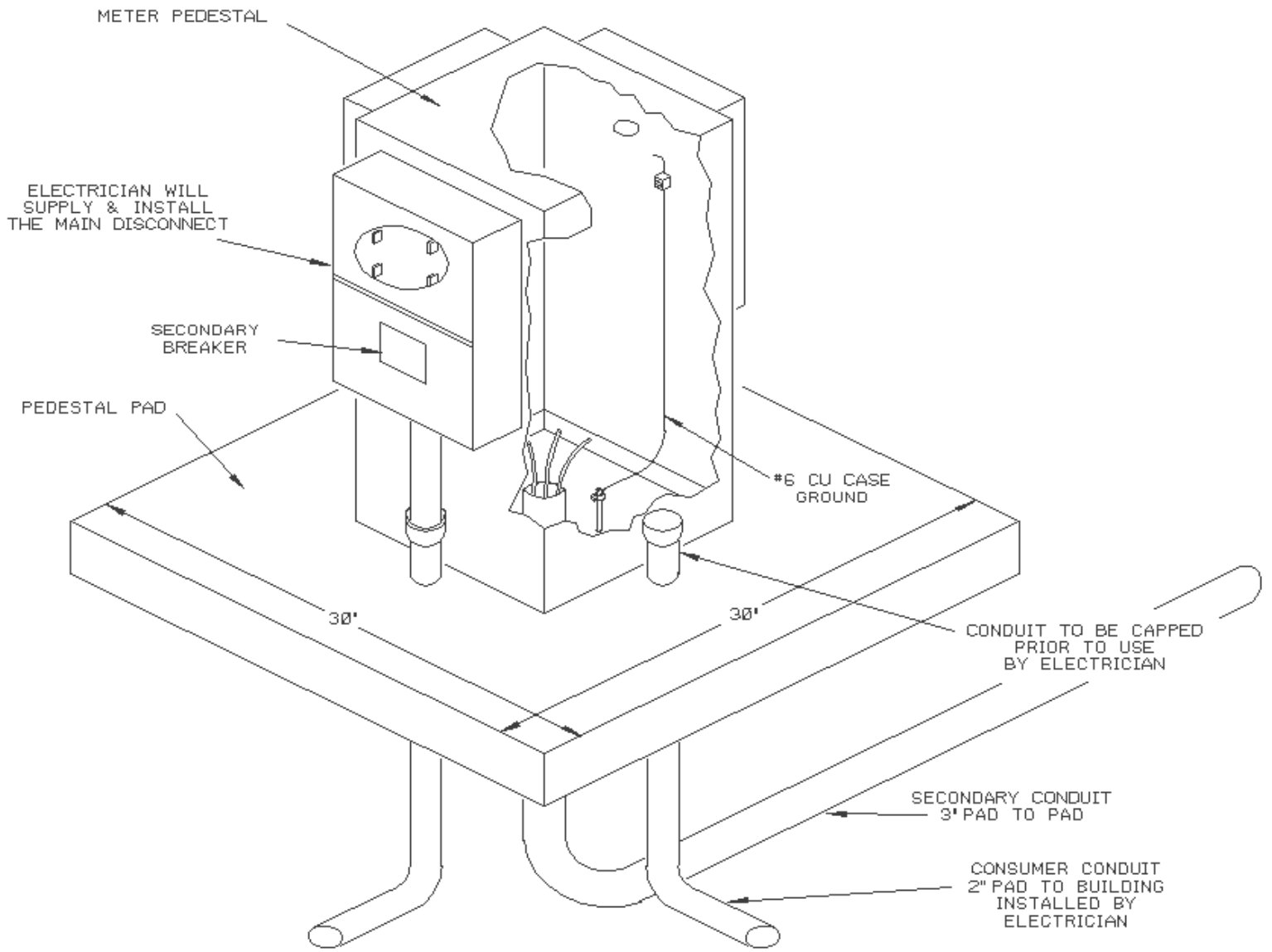


UNDERGROUND SERVICE TO RESIDENTIAL OR COMMERCIAL BUILDING



OVERHEAD SERVICE TO RESIDENTIAL OR COMMERCIAL BUILDING





MP-1R

TYPICAL METERING PEDESTAL DETAIL WITH GROUND ROD

400 AMP RES/COMM. METER PEDESTAL

METER PEDESTAL

NO MAIN DISCONNECT WILL
BE MOUNTED ON ACCESS PANAL

ELECTRICIAN WILL
SUPPLY & INSTALL
THE MAIN DISCONNECT
(1.) MAXIMUM OF
2 - 200 AMP DISCONNECTS

ELECTRICIAN WILL
SUPPLY & INSTALL
THE MAIN DISCONNECT
(1.) MAXIMUM OF
2 - 200 AMP DISCONNECTS

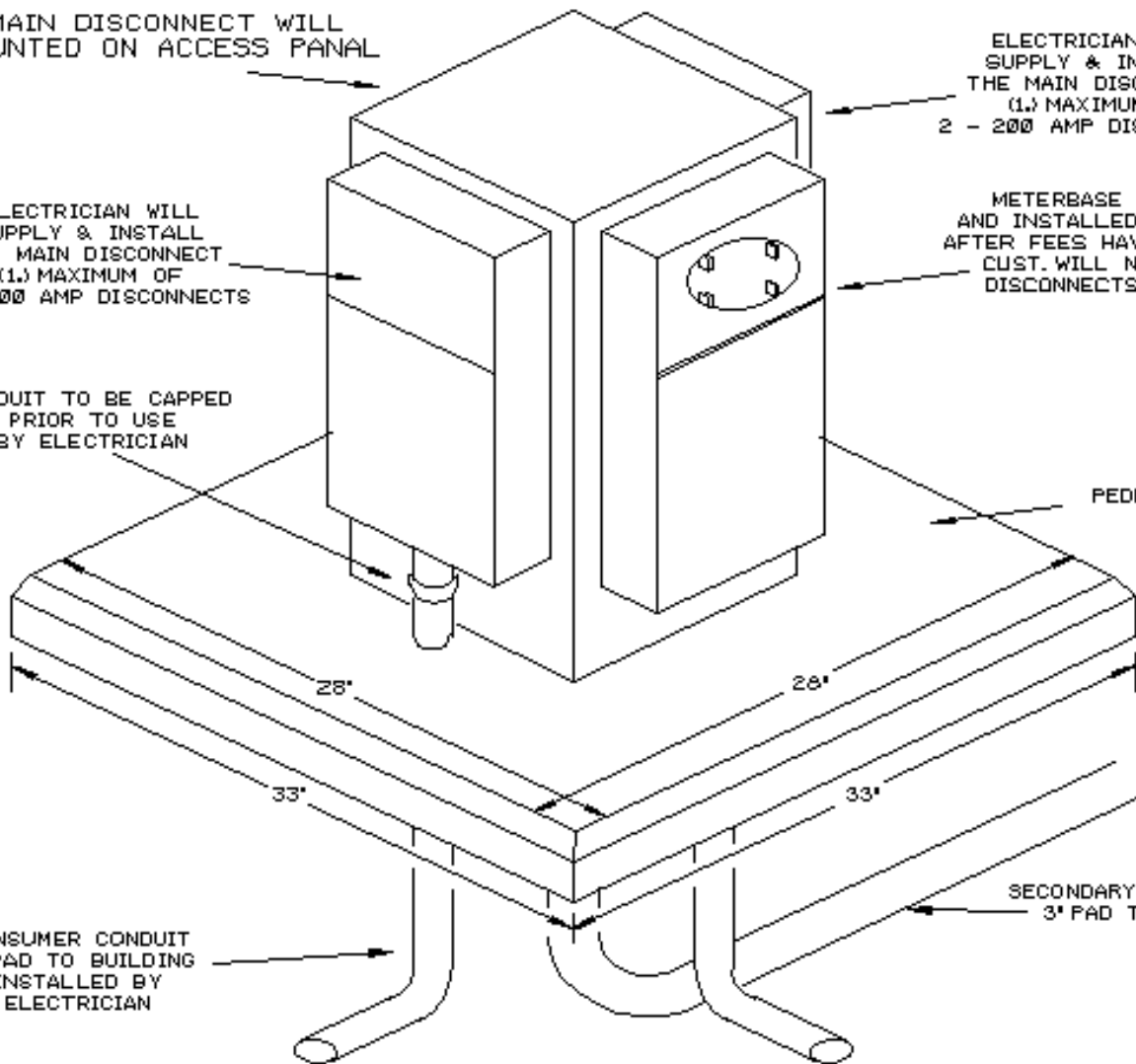
METERBASE SUPPLIED
AND INSTALLED BY C.T.E.C.
AFTER FEES HAVE BEEN PAID
CUST. WILL NOT MOUNT
DISCONNECTS ON BASE

CONDUIT TO BE CAPPED
PRIOR TO USE
BY ELECTRICIAN

PEDESTAL PAD

CONSUMER CONDUIT
2" PAD TO BUILDING
INSTALLED BY
ELECTRICIAN

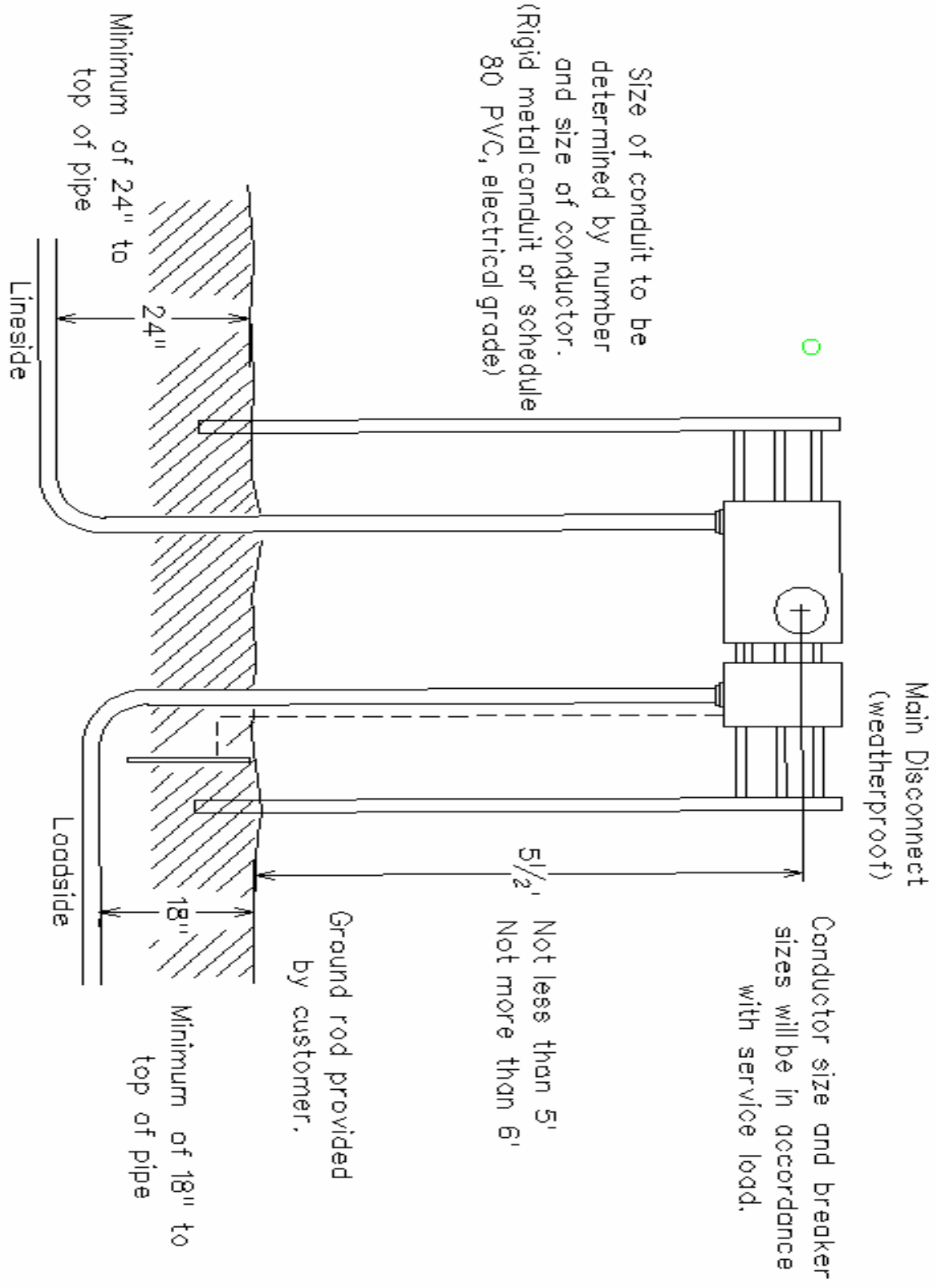
SECONDARY CONDUIT
3" PAD TO PAD



MP-1R

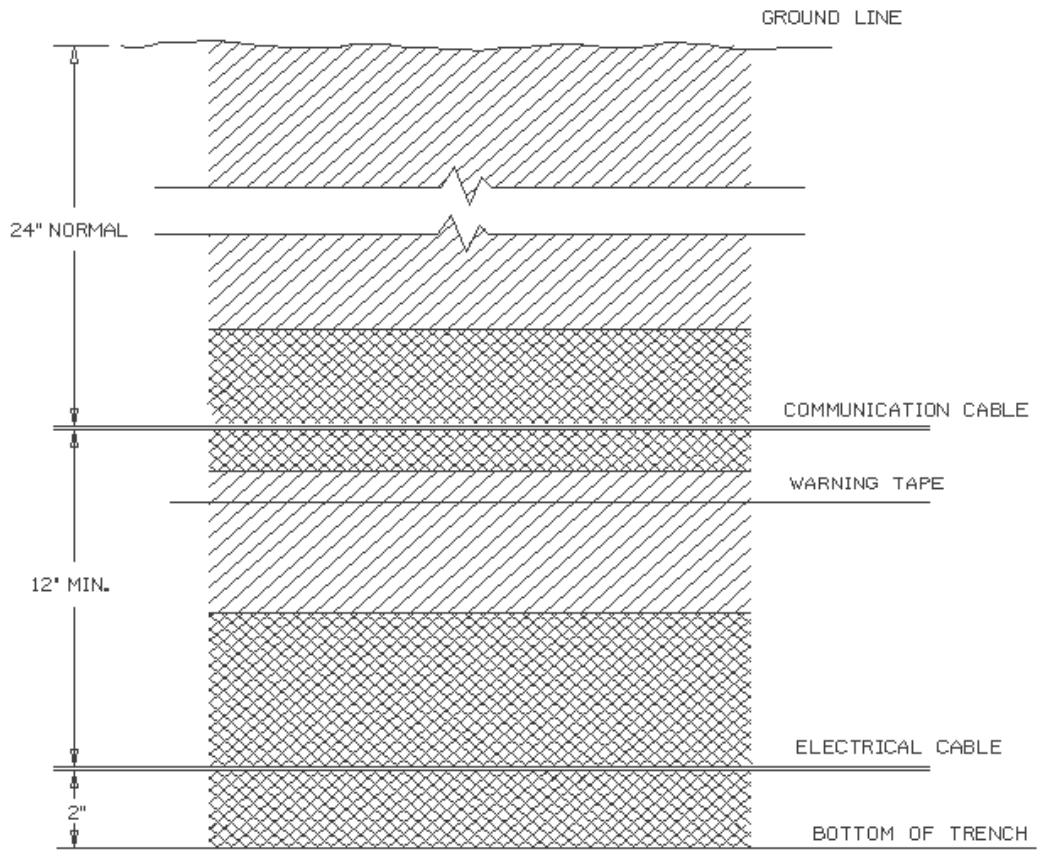
TYPICAL METERING PEDESTAL DETAIL
WITH GROUND ROD

UNDERGROUND SERVICE RACK TO RESIDENTIAL OR COMMERCIAL BUILDING



TYPICAL BURIAL HIERARCHY
OF URD UTILITIES

PROFILE VIEW



LEGEND



BEDDING SAND OR CLEAN SOIL



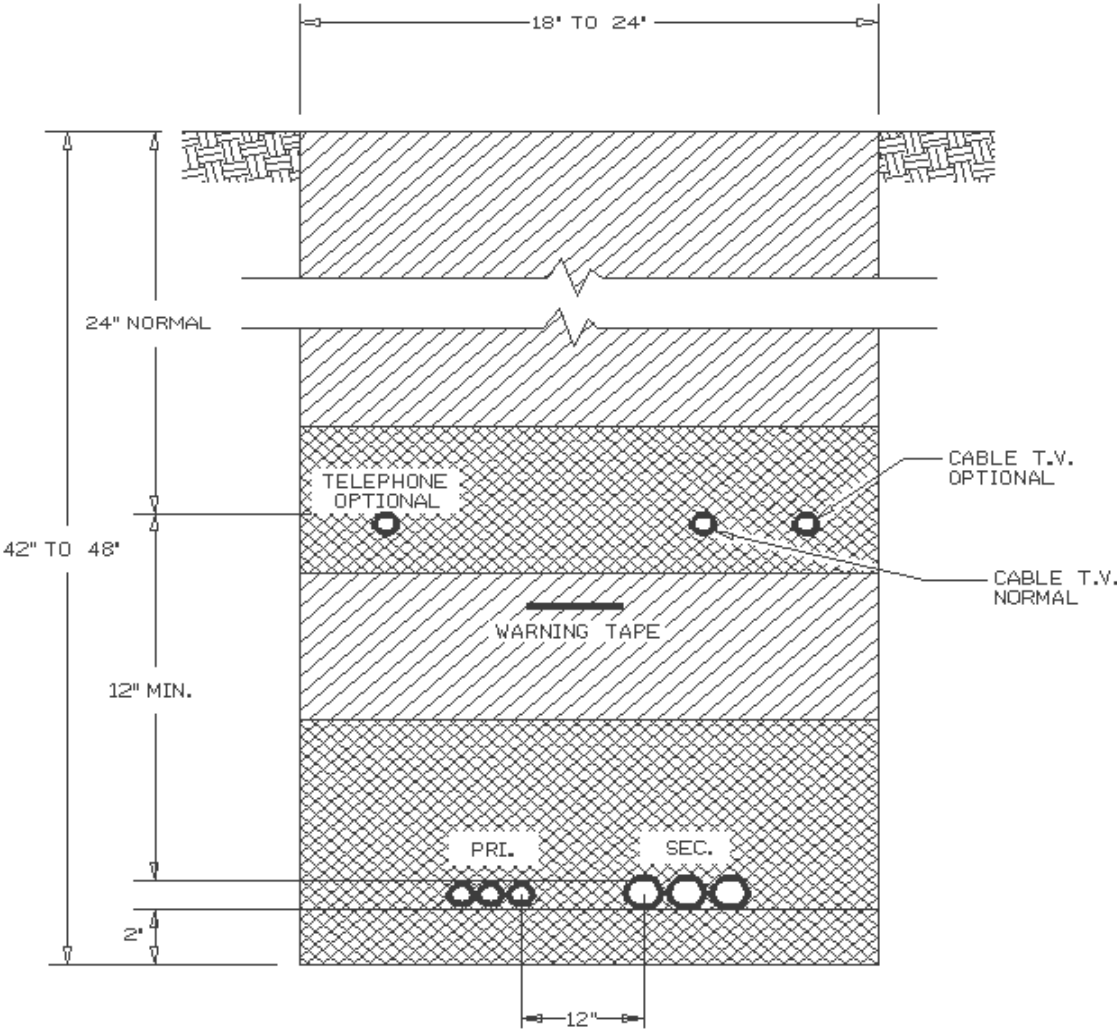
COMPACTED BACKFILL UNLESS OTHERWISE SPECIFIED

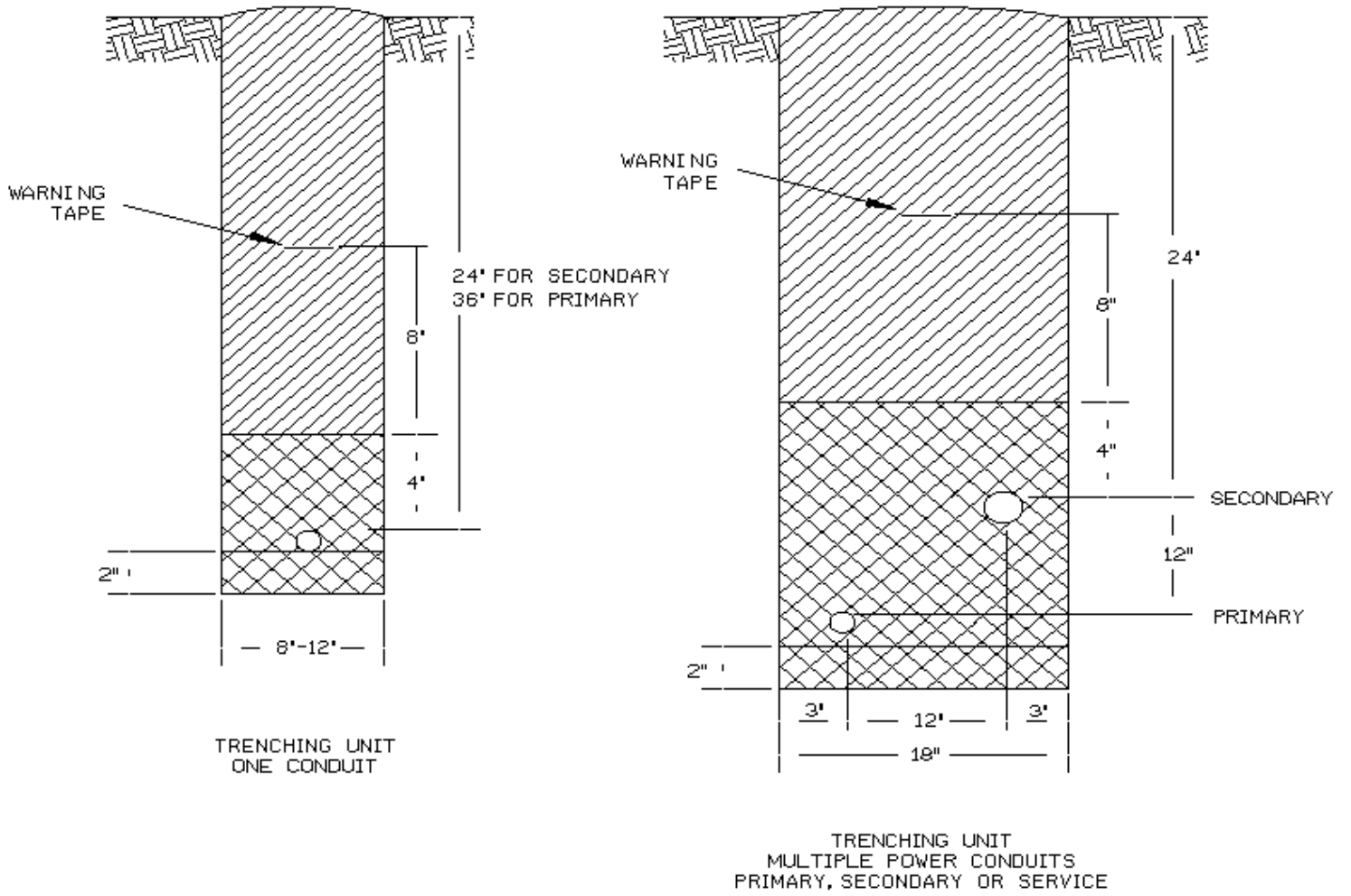


UNDISTURBED EARTH

TYPICAL TRENCH DETAIL
ELECTRICAL W/ CATV & TELEPHONE

TRENCH CROSS SECTION





TYPICAL TRENCH DETAIL
ELECTRICAL ONLY